

Wireless audio module wiring example

By T. Horiuchi and Y. Miyashita

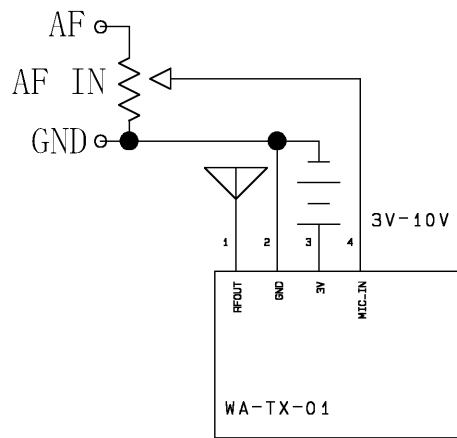
1 WA-TX-01 Wiring example

- 1-1 Basic connection
- 1-2 Transmission of signal from a microphone or mixer equipment with XLR
- 1-3 Transmission of signal from a dynamic microphone
- 1-4 Transmission of stereo signal in 1 ch by composing the L and R ch
- 1-5 Transmission of signal from a commercial microphone for a recordable portable player (MD etc)
- 1-6 Transmission of signal from a 2-wire condenser microphone
- 1-7 Transmission of signal from a 3-wire condenser microphone
- 1-8 Transmission of stereo signal from the equipment (2ch)

2 WA-RX-01/02 Wiring example

1 WA-TX-01 Wiring example

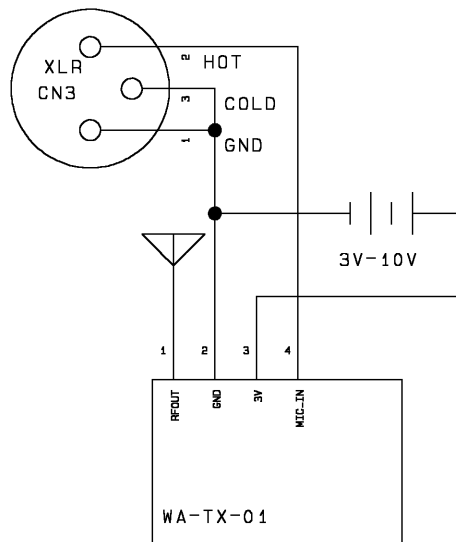
1-1 Basic connection



Note:

- * Feed audio signal into AFIN.
- * Adjust the signal level to be fed to the module using the VR lest the level should exceed -15dBv . (If the level is adjusted too low, the gain level of the amplifier used for the receiver must be increased. This can deteriorate the S/N performance.)

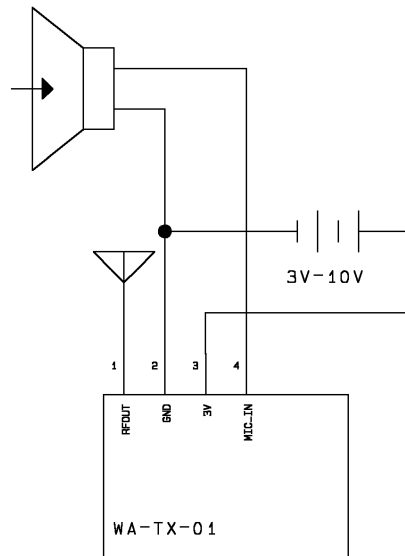
1-2 Transmission of signal from a microphone or mixer equipment with XLR



Note:

- * If audio source contains DC component (on DC level), insert a capacitor suitable for the voltage and polarity into Mic IN terminal in serial.
- * If the output level of the microphone is low, use a low-noise amplifier (Mic AMP) between the microphone and the WA-TX-01.
- * If the output level of the microphone is more than -15dBv , the level must be attenuated.

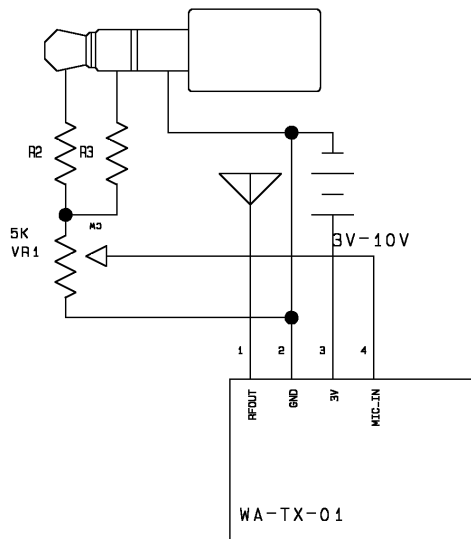
1-3 Transmission of signal from a dynamic microphone



Note:

- * If the output level of the microphone is low, use a low-noise amplifier (Mic AMP) between the microphone and the WA-TX-01.
- * If the output level of the microphone is more than -15dBv, the level must be attenuated.

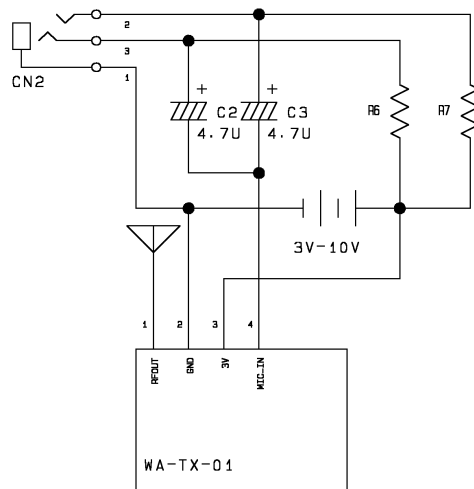
1-4 Transmission of stereo signal in 1 ch by composing the L and R ch



Note:

- * The value of the R2 and the R3, that work as voltage divider with VR1, should be selected to supply -15dBv to VR1 depending on the input level.
- * If audio source contains DC component (on DC level), insert a capacitor suitable for the voltage and polarity into Mic IN terminal in serial.

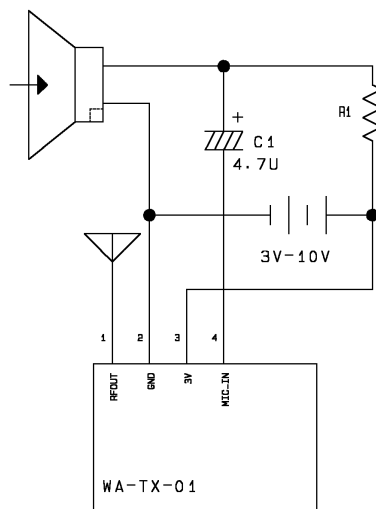
1-5 Transmission of signal from a commercial microphone for a recordable portable player (MD etc)



Note:

- * 3V power supply is used for the electret condenser microphone. The recommended value for the R6 and R7 is 2k ohm at 3V supply.
- * If the input level is too high, insert VR as shown in example 4. Or simply insert resistor at Mic.IN terminal in serial. (The level will be lowered by -6dB with 5kohm, and -10dB with 10kohm ignoring impedance of the microphone.) In case the level is not sufficient, microphone amplifier is required between the microphone and the WA-TX-01.

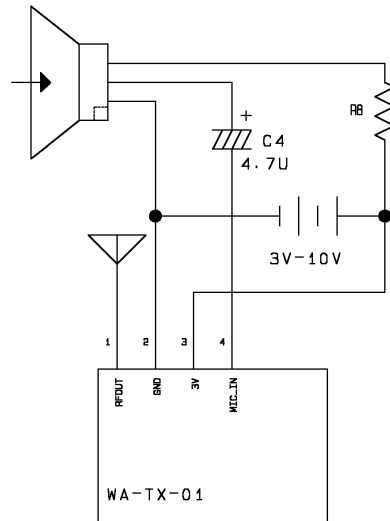
1-6 Transmission of signal from a 2-wire condenser microphone



Note:

- * 3V power supply is used for the electret condenser microphone. The recommended value for the R1 is 2k ohm at 3V supply.
- * If the input level is too high, insert VR as shown in example 4. Or simply insert resistor at Mic.IN terminal in serial. (The level will be lowered by -6dB with 5kohm, and -10dB with 10kohm ignoring impedance of the microphone.) In case the level is not sufficient, microphone amplifier is required between the microphone and the WA-TX-01.

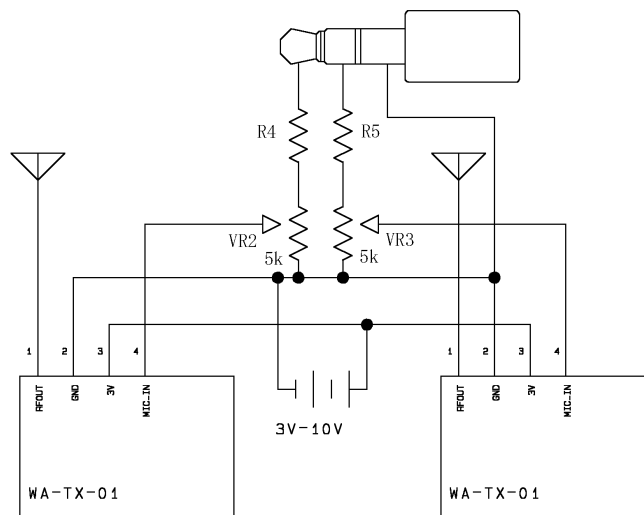
1-7 Transmission of signal from a 3-wire condenser microphone



Note:

- * Some system may require resistor of 5kohm - 10kohm between C4+ and GND.
- * R8 is not indispensable. The need for R8 depends on the rating of the microphone.
- * If the input level is too high, insert VR as shown in example 4. Or simply insert resistor at Mic.IN terminal in serial. (The level will be lowered by -6dB with 5kohm, and -10dB with 10kohm ignoring impedance of the microphone.) In case the level is not sufficient, microphone amplifier is required between the microphone and the WA-TX-01.

1-8 Transmission of stereo signal from the equipment (2ch)



Note:

- * Make sure to use the two WA-TX-01 modules with different frequency channel.
- * The value of the R4 and the R5, that work as voltage divider with VR2 and VR3, should be selected to supply -15dBm to VR2 and VR3 depending on the input level.
- * If audio source contains DC component (on DC level), insert a capacitor suitable for the voltage and polarity into R4 and R5 in serial.

2 WA-RX-01/02 Wiring example

