

**Part Change Notice****Date: Feb. 09, 2016****PCN. No: 1602012****Products:**

CDP-RX-02E-R, EP-R, F-R, FP-R 434 MHz.

**Description of change**

- Obsolete components change:  
VCO circuit components and IF-IC\* component change  
Comparison block diagrams are attached.

\* The impact of changing IF-IC on the RSSI specification and characteristics is as follows:

Specification change:

Current: 235mV $\pm$ 40mV at -110dBm195mV $\pm$ 40mV at -116dBmNew: 230mV $\pm$ 50mV at -113dBm

RSSI characteristics change: Wider variation in RSSI output (Comparison figures are attached)

**Reason of change:**

- CDP-RX-02E-R, EP-R, F-R,FP-R contains several obsolete components whose production discontinuation has been announced by part suppliers. In order to continue stable product supply, these components are changed to the latest components.

**Cost Impact:**

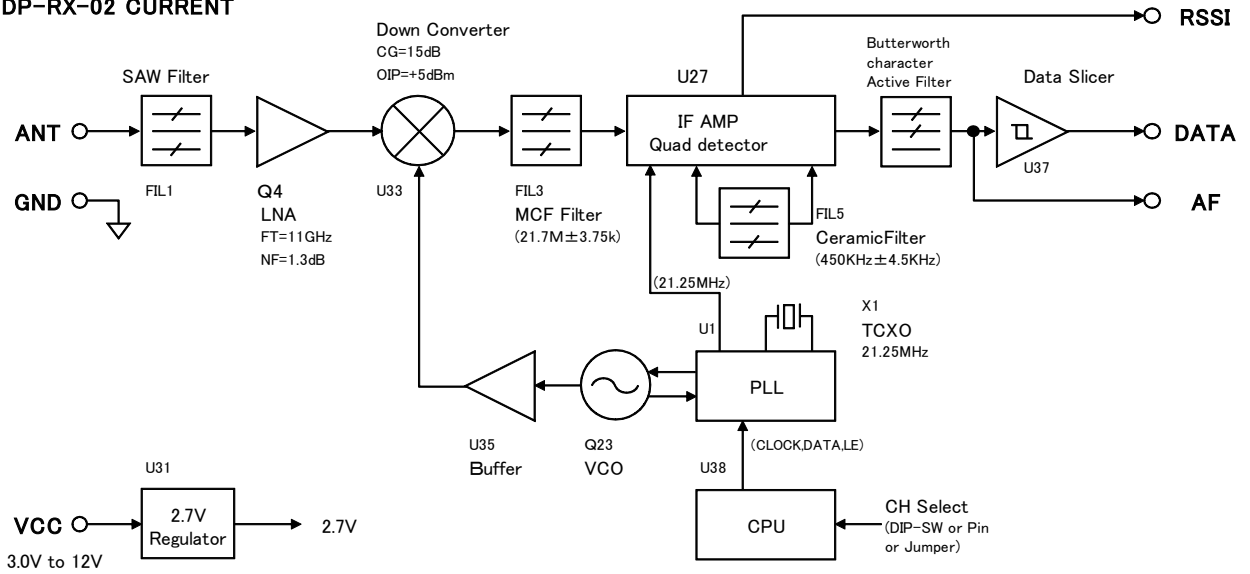
NIL

**Change schedule:**

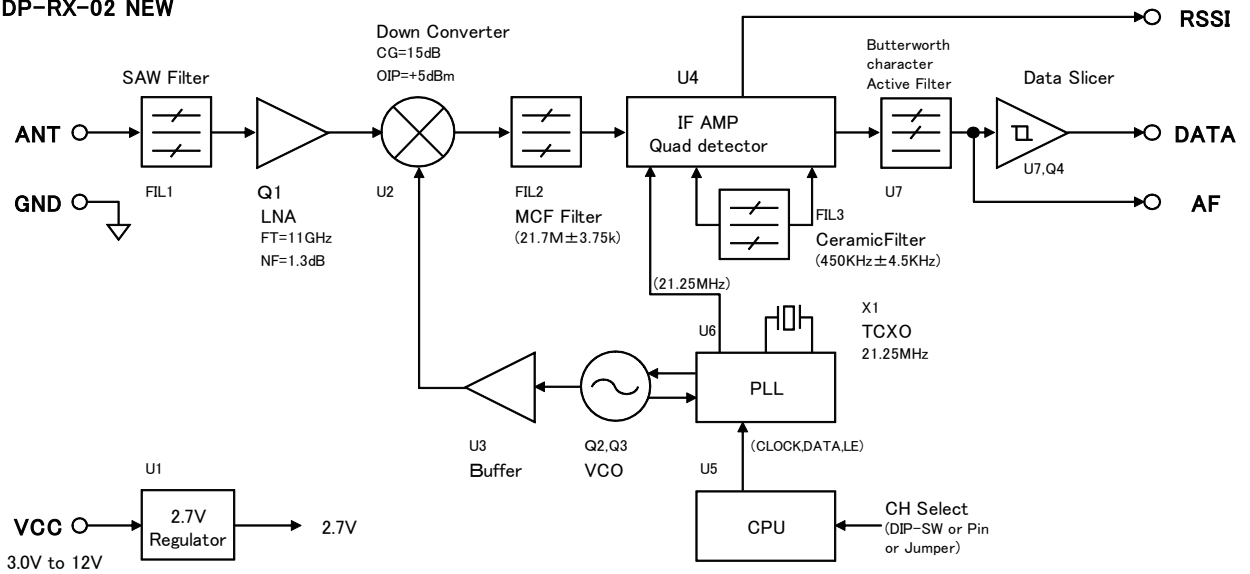
- Production of CDP-RX-02E-R, EP-R, F-R, FP-R implementing the change will start from June 2016.
- Shipment schedule to be dealt on a case by case basis.
- The change will be implemented on the following serial number onwards:

CDP-RX-02E-R	434MHz	KZ030001~
CDP-RX-02EP-R	434MHz	KQ002001~
CDP-RX-02F-R	434MHz	KN001001~
CDP-RX-02FP-R	434MHz	KM002001~

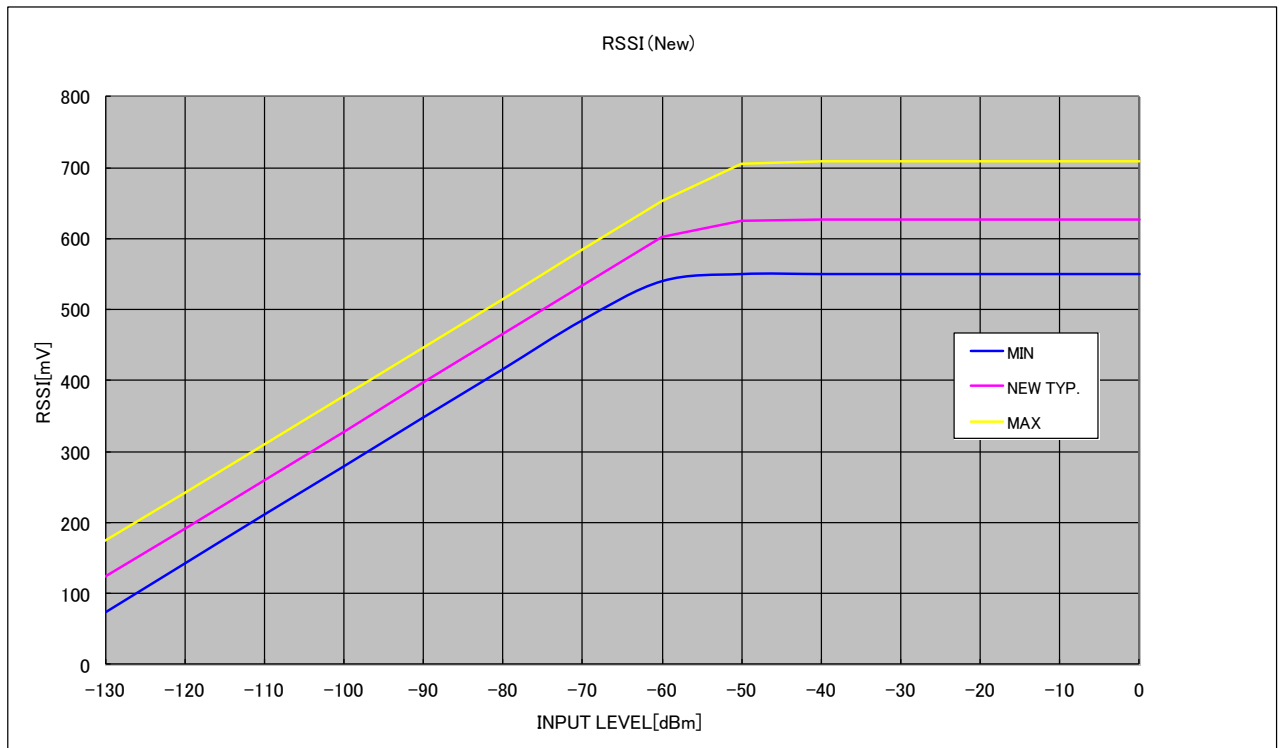
**CDP-RX-02 CURRENT**



**CDP-RX-02 NEW**



### RSSI Characteristics (New)



### Comparison with current characteristics

