

## Part Change Notice

**Date: Apr. 08, 2022**

**PCN. No: 2206002**

### Products:

CDP-RX-07M / CDP-RX-07MP 434 MHz

### Description of change

- Component change.
  - SAW filter change
  - MCF (Monolithic Crystal Filter) change
- Refer to the attached block diagram for the location
- No change in product specification

### Reason of change:

- CDP-RX-07M / CDP-RX-07MP 434 MHz contains the obsolete components above whose production discontinuation has been announced by part suppliers. In order to continue stable product supply, these components are changed to the latest components.

### Change schedule:

- Estimated timing for implementation into production is April 2023.
- The change will be implemented on the following serial number onwards:

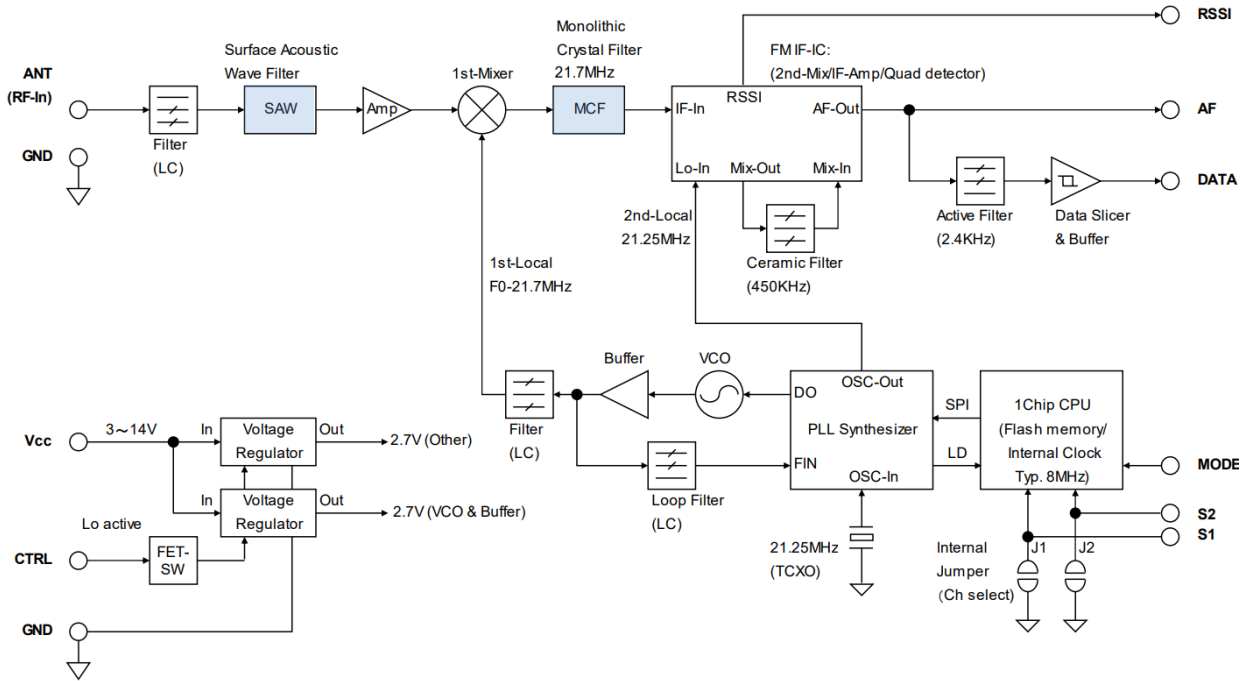
CDP-RX-07M	434 MHz	A00020001~
CDP-RX-07MP	434 MHz	B00020001~

- Sample is available on request.

**NOTE: If we do not hear from you within 30 days, we will assume your full acceptance to this change and its implementation.**

## CDP-RX-07M/MP 434 MHz block diagram

(location of changed components shown in blue)



S1/S2/MODE: CDP-RX-07MP only.